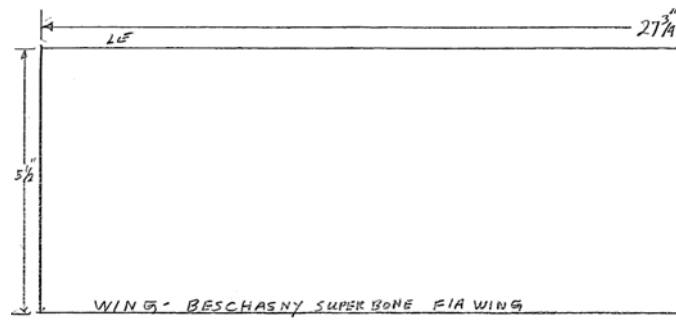
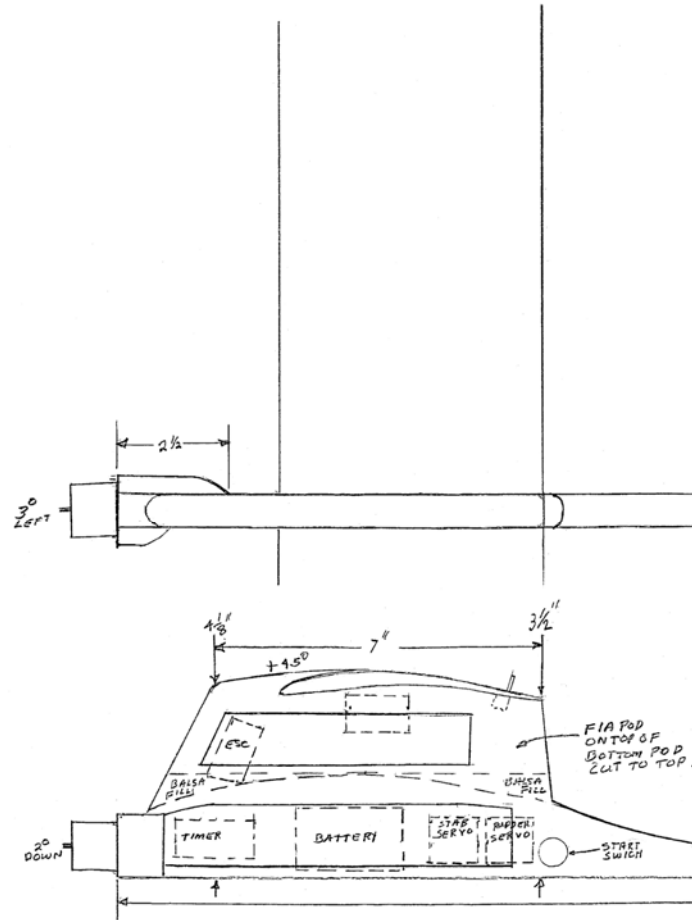


SIFLEET'S CHAMPION F1Q 



PHOTOGRAPHY: DON DELOACH



Bob Silfleet's "Q3" F1Q - Winner of the 2018 World Cup

Motor.....Cobra 2208-26 1550KV
 Prop.....CAM 8x4.1 folder
 Timer.....Magic F1Q Timer
 ESC.....Cobra DL22A
 Energy Limiter.....Sidus EL
 Battery.....Cheetah 11.1V 360 mAh 35C

Areas and Weights

Wing Area.....475 sq. in.
 Stab Area.....70.3 sq. in.
 Wing.....355g
 Body.....192g
 Stab.....18g

